

**PLEASE CHECK WWW.MOLEX.COM FOR LATEST PART INFORMATION**

**Part Number:** [0740581052](#)  
**Status:** **Active**  
**Overview:** [vhdm](#)  
**Description:** 2.00mm (.079") Pitch VHDM® Board-to-Board Backplane Header, Vertical, 6-Row, Pin End Version, 60 Circuits, Pin Length 6.25mm (.246")

**Documents:**

[3D Model](#) [RoHS Certificate of Compliance \(PDF\)](#)  
[Drawing \(PDF\)](#)

**General**

Product Family	Backplane Connectors
Series	<a href="#">74058</a>
Application	Backplane
Application Tooling Documents	<a href="http://www.molex.com/pdm_docs/ats/TM-622010999.pdf">http://www.molex.com/pdm_docs/ats/TM-622010999.pdf</a> >Tooling Manual</a>
Comments	Keying Postion E
Component Type	PCB Header
Overview	<a href="#">vhdm</a>
Product Name	VHDM®
Style	N/A

**Physical**

Circuits (Loaded)	60
Circuits (maximum)	60
Color - Resin	Black
Durability (mating cycles max)	200
First Mate / Last Break	No
Guide to Mating Part	Yes
Keying to Mating Part	Yes
Material - Metal	Beryllium Copper, High Performance Alloy (HPA), Stainless Steel
Material - Plating Mating	Gold
Material - Plating Termination	Tin-Lead
Material - Resin	High Temperature Thermoplastic
Number of Columns	N/A
Number of Pairs	Open Pin Field
Number of Rows	6
Orientation	Vertical
PC Tail Length (in)	0.098 In
PC Tail Length (mm)	2.50 mm
PCB Locator	No
PCB Retention	None
PCB Thickness Recommended (in)	0.071 In
PCB Thickness Recommended (mm)	1.80 mm
Packaging Type	Tube
Pitch - Mating Interface (in)	0.079 In
Pitch - Mating Interface (mm)	2.00 mm
Pitch - Term. Interface (in)	0.039 In
Pitch - Term. Interface (mm)	1.00 mm
Plating min: Mating (µin)	30
Plating min: Mating (µm)	0.75
Plating min: Termination (µin)	30
Plating min: Termination (µm)	0.75
Polarized to PCB	Yes
Stackable	No

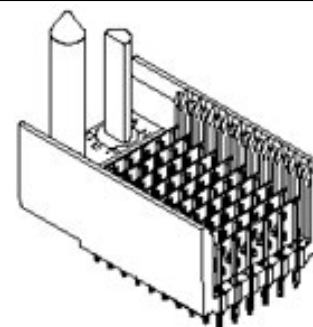


image - Reference only

Series

**EU RoHS**

**RoHS Compliant by Exemption**

**REACH SVHC**

**Contains SVHC: No**

**Halogen-Free**

**Status**

**Halogen-Free**

**China RoHS**



Pb

**Need more information on product environmental compliance?**

Email [productcompliance@molex.com](mailto:productcompliance@molex.com)  
 For a multiple part number RoHS Certificate of Compliance, [click here](#)

Please visit the [Contact Us](#) section for any non-product compliance questions.

**Search Parts in this Series**

[74058Series](#)

**Mates With**

[74030 VHDM® Board-to-Board Daughtercard Receptacle](#)

**Application Tooling | FAQ**

*Tooling specifications and manuals are found by selecting the products below. Crimp Height Specifications are then contained in the Application Tooling Specification document.*

**Global**

Description	Product #
Flat Rock Tooling for Pneumatic Press	<a href="#">0622013700</a>
VHDM® Insertion Module for Advanced Mate Signal Header, 6 Row by 11 Wide, 20.00mm (.787")	<a href="#">0622011101</a>
VHDM® Signal Pin Inserter Repair Tool	<a href="#">0622015700</a>

Surface Mount Compatible (SMC) Yes  
Temperature Range - Operating 105°C  
Termination Interface: Style Through Hole - Compliant Pin

### Electrical

Current - Maximum per Contact 1A  
Data Rate 3.125 Gbps  
Real Signals (per 25mm) 75  
Shield Type Ground Plane Shield  
Shielded Yes  
Voltage - Maximum 120V AC (RMS)/DC

### Material Info

VHDM and Very High Density Metric are trademarks of Amphenol Corporation

VHDM® 6 Row Pin and Shield Repair Tool [0622015800](#)

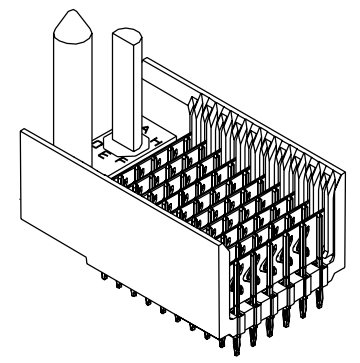
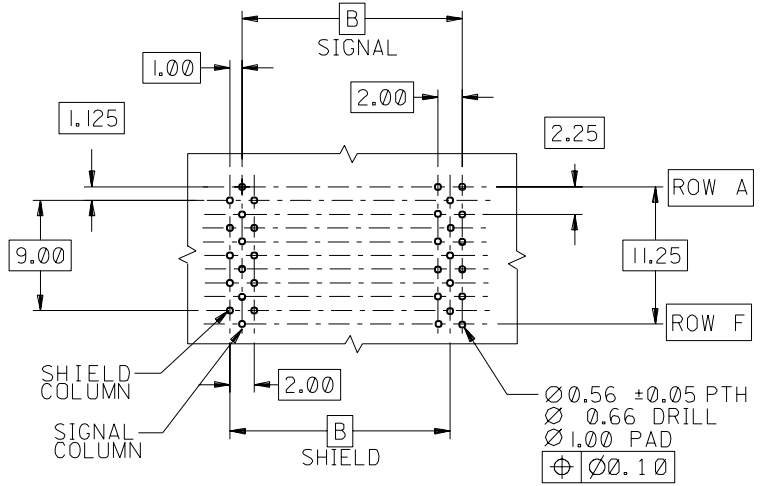
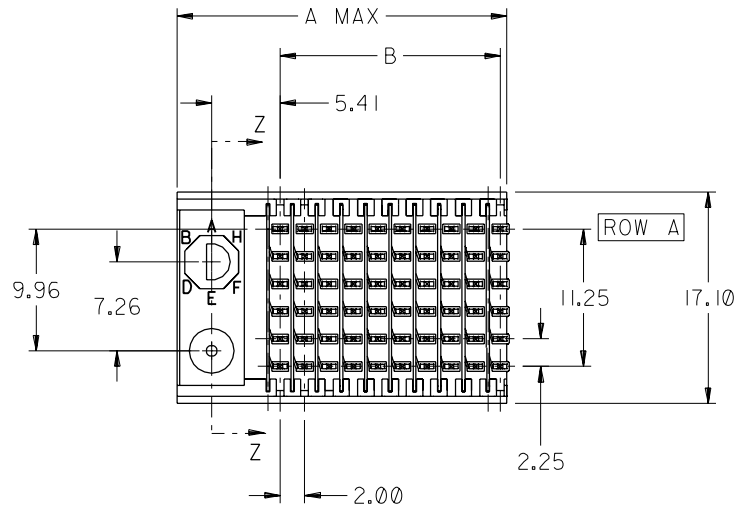
VHDM® 6 Row Shield Extraction Tool [0622016000](#)

VHDM® Insertion Module for Advanced Mate Signal Header, 6 Row by 10 Wide, 20.00mm (.787") [0622020203](#)

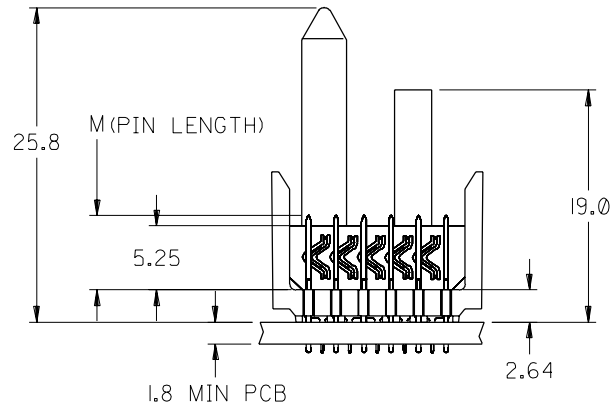
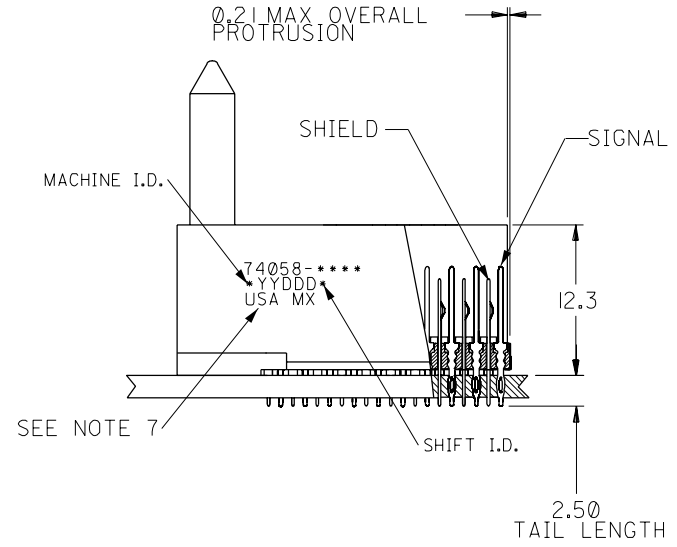
VHDM® Insertion Module for Advanced Mate Signal Header, 6 Row by 10 Wide, 20.00mm (.787") [0622020207](#)

This document was generated on 05/19/2010

**PLEASE CHECK [WWW.MOLEX.COM](http://WWW.MOLEX.COM) FOR LATEST PART INFORMATION**



BACKPLANE HOLE PATTERN  
RECOMMENDED DIMENSIONS



NOTES:

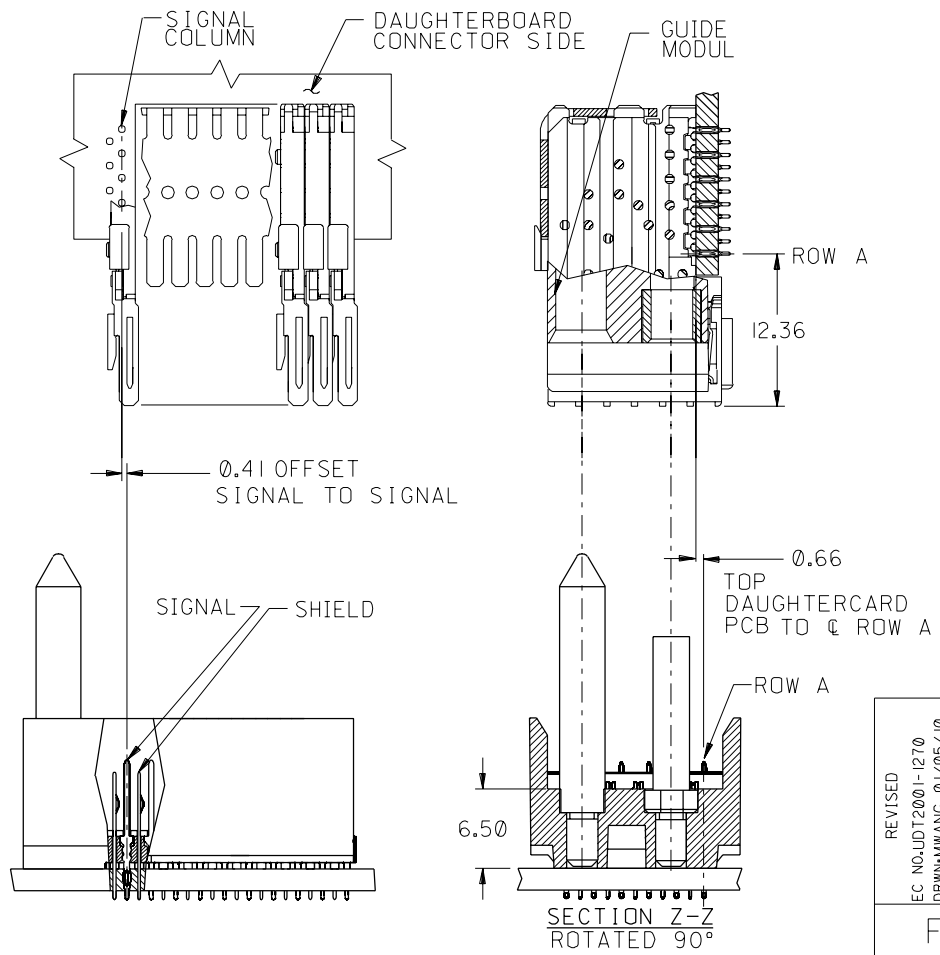
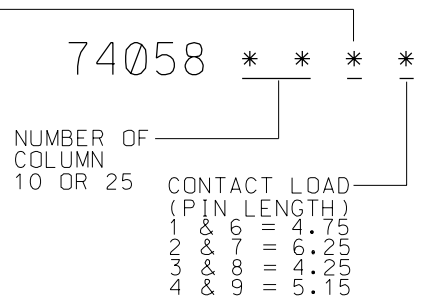
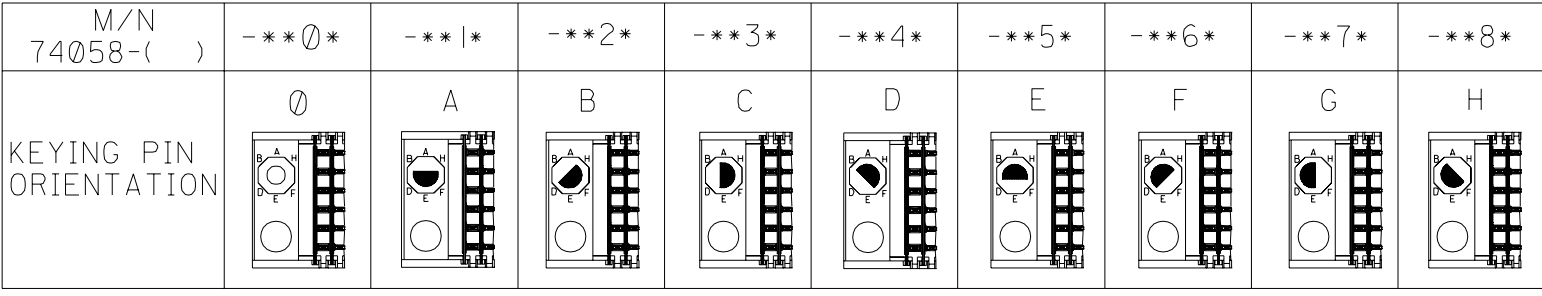
1. MATERIALS:  
HOUSING - LIQUID CRYSTAL POLYMER (LCP),  
GLASS-FILLED, UL 94V-0, COLOR: BLACK.  
SIGNAL PIN & SHIELD - COPPER ALLOY.
2. FINISHES:  
SELECTIVE GOLD (Au) IN CONTACT AREA;  
SELECTIVE TIN/LEAD (Sn/Pb) ON PCB TAILS AND  
NICKEL (Ni) OVERALL.
3. THIS PART CONFORMS TO MOLEX  
PRODUCT SPECIFICATION PS-74031-999
4. FOR MIXED CONTACT MATING LENGTHS.  
CONSULT MOLEX FOR AVAILABILITY.
5. FOR SPECIFIC MATERIAL NUMBERS  
AND MATING INFORMATION REFER TO  
SHEET 2.
6. PACKAGE PER PK-74058-003.
7. EITHER MARK PARTS WITH PART NUMBER AND DATE CODE  
APPROXIMATELY WHERE SHOWN OR PLACE LABEL ON HTE TUBE.

SEE NOTE 7

2	F
1	F
SHT	REV
REVISE ON CAD ONLY	

DIMENSIONS:		
<input type="checkbox"/> mm	<input type="checkbox"/> INCH	<input checked="" type="checkbox"/> mm ONLY

REVISED EC NO: LDT2000-I-1270 DRWN: MWANG 01/05/10 CHK: JLAURX 01/05/10 APPR: CBIXLER 01/05/10	QUALITY SYMBOLS MAJOR = 0 CRITICAL = 0	GENERAL TOLERANCES: (UNLESS SPECIFIED)		SCALE 2.5:1	DESIGN UNITS <input checked="" type="checkbox"/> mm <input type="checkbox"/> INCH	<input checked="" type="checkbox"/> THIRD ANGLE <input type="checkbox"/> PROJECTION	DIMENSIONS:		SHEET NO. 1 OF 2	
		4 PLACES ±0.--- ±.	3 PLACES ±0.--- ±.	2 PLACES ±0.--- ±.	1 PLACE ±0.--- ±.	DRAWN BY & DATE MWANG 11/09/98	TITLE: VHDM BACKPLANE 6 ROW SIGNAL-PIN END SALES DRAWING			
		ANGULAR: ± - °				CHECKED BY & DATE JLAURX 11/09/98	MOLEX INCORPORATED			
		DRAFT WHERE APPLICABLE MUST REMAIN WITHIN DIMENSIONS				APPROVED BY & DATE CBIXLER 11/09/98	CAD FILENAME SD-74058-002.DGN	MATERIAL NO. SEE SHEET 2	DRAWING NO. SD-74058-002	SIZE B



PART NUMBER	COLUMN	NUMBER OF SIGNAL PIN	NUMBER OF SHIELD	A MAX	B	M	Au (um) THICKNESS	Sn/Ph (um) THICKNESS
74058-10*1	10	60	10	20.00	18.00	4.75	0.76	0.38-1.25
74058-10*6							1.25	
74058-25*1	25	150	25	50.00	48.00	6.25	0.76	
74058-25*6							1.25	
74058-10*2	10	60	10	20.00	18.00	4.25	0.76	
74058-10*7							1.25	
74058-25*2	25	150	25	50.00	48.00	5.15	0.76	
74058-25*7							1.25	
74058-10*3	10	60	10	20.00	18.00	4.25	0.76	
74058-10*8							1.25	
74058-25*3	25	150	25	50.00	48.00	5.15	0.76	
74058-25*8							1.25	
74058-10*4	10	60	10	20.00	18.00	4.25	0.76	
74058-10*9							1.25	
74058-25*4	25	150	25	50.00	48.00	5.15	0.76	
74058-25*9							1.25	

REVISED EC NOLJDT2001-1270 DRW:MWANG 01/05/10 CHK:JLAURX 01/05/10 APPR:CBIXLER 01/05/10	QUALITY SYMBOLS MAJOR CRITICAL	GENERAL TOLERANCES: (UNLESS SPECIFIED)	SCALE 2.5:1	DESIGN UNITS <input checked="" type="checkbox"/> mm <input type="checkbox"/> INCH	DIMENSIONS: <input type="checkbox"/> mm <input type="checkbox"/> INCH <input checked="" type="checkbox"/> mm ONLY	SHT REV
	DESCRIPTION	4 PLACES ±0. --- ±. 3 PLACES ±0. --- ±. 2 PLACES ±0. --- ±. 1 PLACE ±0. --- ±.	DRAWN BY & DATE MWANG 11/09/98	THIRD ANGLE PROJECTION	TITLE: VHDM BACKPLANE 6 ROW SIGNAL-PIN END SALES DRAWING	REVISE ON CAD ONLY
	REV	DRAFT WHERE APPLICABLE MUST REMAIN WITHIN DIMENSIONS	APPROVED BY & DATE JLAURX 11/09/98	CAD FILENAME SD-74058-002-DGN	MOLEX INCORPORATED	SHEET NO. 2
	F	THIS DRAWING CONTAINS INFORMATION THAT IS PROPRIETARY TO MOLEX INCORPORATED AND SHOULD NOT BE USED WITHOUT WRITTEN PERMISSION.	APPROVED BY & DATE CBIXLER 11/09/98	MATERIAL NO. SEE CHART	DRAWING NO. SD-74058-002	SIZE B